



# TRADITION CORNICE

pendant

DP-830  
DP-832  
DP-836

The Tradition Cornice pendant features detailed cast trim around a spun brass or aluminum band and is available in single bowl as well as two- and four- bowl configurations. The 39 and 40-watt compact fluorescent lamp options include a top reflector tray that also prevents debris from falling into the bowl. And maintenance is easy on all models — the fixture can be relamped without removing the bowl or trim ring.

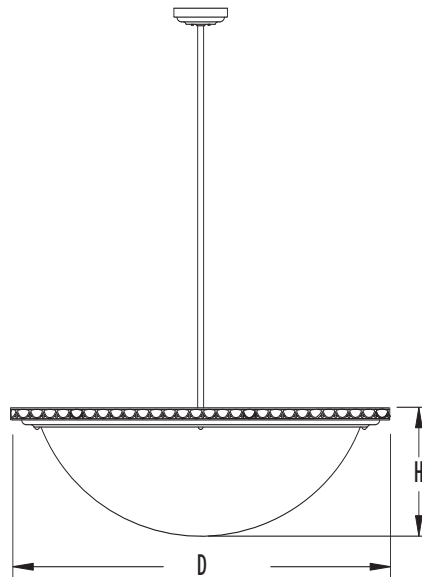
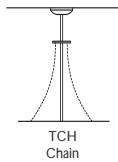
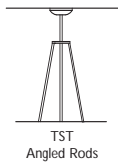
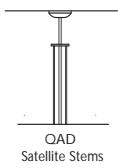
Matching fixtures:

Two or four bowl chandelier  
(CP-830, CP-831, CP-832, CP-833)

Wall sconce  
(DS-830, DS-832, DS-664)

Ceiling mount fixture  
(DC-830, DC-832)

### Stem Options



Project Name: \_\_\_\_\_  
Fixture type: \_\_\_\_\_

### Cast Trim Options



EGD - Egg & Dart



GRK - Greek Key



ROP - Rope

Fixture No.	H	D	OAH	Finish	Cast Band	Lamping	Diffuser	Stem Options	Options
DP-830	10"	23.5"	34" std. unless specified	BA FAB PB PT SAB	EGD GRK ROP	3N100 4F39 4FQ26	WH-White FX-Faux alabaster SV- White Swirl	QAD - Parallel stems TST- Angled rods TCH- Chain	DM - Dimming EMI -Emergency FU-Fusing
DP-832	11.5"	32"	44" std. unless specified	BA FAB PB PT SAB	EGD GRK ROP	4N100 4FQ26 8F40 4FT42 1MH400 & 6F13	WH-White FX-Faux alabaster SV- White Swirl	QAD - Parallel stems TST- Angled rods TCH- Chain	DM - Dimming EMI -Emergency FU-Fusing
DP-836	13.5"	40.25"	56" std. unless specified	BA FAB PB PT SAB	EGD GRK ROP	6N100 6FQ26 12F40 6FT42 2MH400 & 8F13	WH-White FX-Faux alabaster SV- White Swirl	QAD - Parallel stems TST- Angled rods TCH- Chain	EMI-Emergency DM-Dimming FU-Fusing

Sample Specification:	D P - 8 3 2 - P T ( D C P ) - E G D - 8 F 4 0 - 1 2 0 - W H - T C H - D M
	Fixture Number Finish (Color) Cast Band Lamping Voltage Diffuser Stem Option Option
Your Specification:	D P - _____ - _____ - _____ - _____ - _____ - _____ - _____ - _____
	Fixture Number Finish (Color) Cast Band Lamping Voltage Diffuser Stem Option Option

## SPECIFICATIONS

### Construction

Spun aluminum or brass trim ring with applied cast trim band. Inner prepainted high reflective white aluminum reflector/lampholder. Metal halide fixture includes hydroformed aluminum reflector. Spun round aluminum or brass canopy with 45° swivel hanger and threaded steel stem.

### Material/Finishes

BA - Brushed Solid Aluminum  
FAB - Faux Antique Brass painted finish  
PB - Solid Polished Brass  
PT - Painted Finish (Specify color) See catalog for options.  
SAB - Solid Antique Brass

### Diffuser

Minimum .125" starting thickness.

### Lamping (initial lumens per lamp)

N100 = 100 watt A-19 medium base (1690 lumens)  
F13 - Compact fluorescent 13 watt 2GX7 base (900 lumens)  
FQ26 - Compact fluorescent 26 watt G24q-3 base (1710 lumens)  
F39 = Compact fluorescent 39 watt 2G11 base (2850 lumens)  
F40 = Compact Fluorescent 40 watt 2G11 base (3150 lumens)  
FT42 - Compact fluorescent 42 watt GX24q-4 base (3200 lumens)  
MH400 - Metal halide 400 watt ED-28 mogul base (32200 lumens)  
(Coated metal halide lamp recommended)

### Ballasts and Voltage

Metal Halide fixtures  
Include 120V-277 volt remote mounted F-can ballast.

### Fluorescent fixtures

Supplied with integral high power factor (HPF) 120 or 277 volt electronic ballasts that are "A" sound rated and "P" type thermally protected.

Dimming option supplied with integral Lutron dimming ballasts unless otherwise specified.

Emergency option operates one fluorescent lamp for 90 minutes minimum at up to 750 lumens. Output will vary depending on lamp being powered. Consult factory for specific information.

### Mounting

Standard fixture supplied with 45° swivel hanger with threaded bracket provided for attachment to standard 4-inch octagonal box.

### Warranty

Manning Lighting guarantees its products against defects in materials and workmanship for three years from the date of shipment. See catalog for details.



Underwriters Laboratories listed. All fixtures are wired complete and short tested before packing.

IBEW union made in the USA

# Tradition Cornice

# Features & Benefits

Catalog C-12 Page 26-27

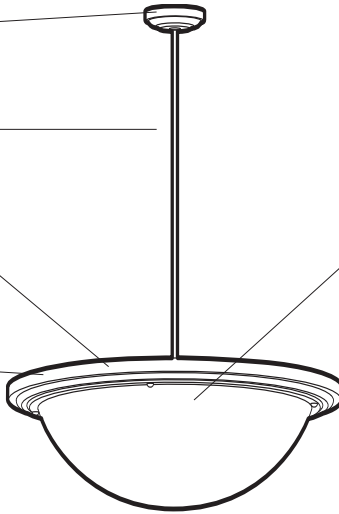
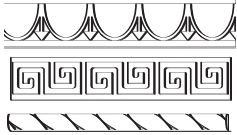
## PENDANT DP-830, DP-832, DP-836

- Feature:** • Round canopy with 45° swivel hanger standard.  
**Benefit:** • No special requirements necessary for sloped ceiling mounting.  
 • Design continuity with shape of fixture body.

- Feature:** • Three standard stem kits available in addition to standard single stem.  
**Benefit:** • Stem kits are not structural supports and can be easily added for variety of appearances.

- Feature:** • Aluminum or solid brass (not plated) trim ring.  
**Benefit:** • Aluminum: Variety of painted finishes including brushed aluminum available.  
 • Brass: True brass material adds value and matches other brass finishes in architectural spaces.

- Feature:** • Three decorative cast trim band options.  
**Benefit:** • Cast detail adds richness and depth at a fraction of the price of a one-piece cast trim ring.



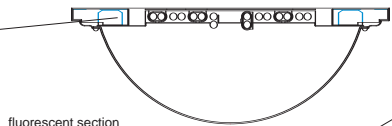
- Feature:** • Diffuser illuminated by up to 12 40 watt compact fluorescent or up to 40 two 400 watt metal halide lamps.  
**Benefit:** • Multiple circuiting for inexpensive dimming option.  
 • Even illumination of diffuser.  
 • Energy efficiency.  
 • Infrequent relamping.

- Feature:** • White, white swirl, faux alabaster acrylic diffuser options.  
**Benefit:** • Varying amounts of downlight through bowl.  
 • Appearance variety.

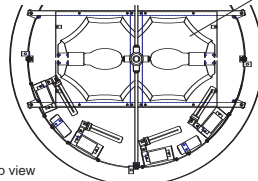
- Feature:** • Two and four-bowl chandelier models standard.  
**Benefit:** • Same lamping and construction as single bowls suitable for larger applications.

- Feature:** • Two antique brass finishes available.  
**Benefit:** • SAB finish is an antique paint hand applied to solid brass material for a rich, traditional look. FAB finish is a painted finish on aluminum material that yields a similar appearance, yet costs substantially less.

- Feature:** • Top reflector tray (F40 compact fluorescent option).  
**Benefit:** • Lamps positioned on top of reflector to provide both up and downlight.  
 • Fixture can be relamped from above without removing diffuser or trim ring.  
 • Reflector covers diffuser to minimize debris inside bowl.  
 • Highly reflective white painted material delivers excellent photometric performance.  
 • Built-in provisions for dimming ballast and emergency battery options.



fluorescent section



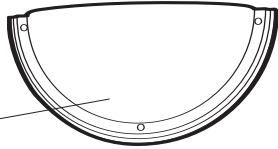
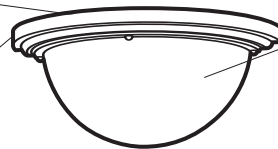
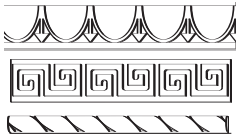
metal halide top view

- Feature:** • Hydroformed reflector (metal halide option).  
**Benefit:** • Excellent photometric performance  
 • Fluorescent lamps on separate circuit evenly illuminate diffuser.  
 • Fixture can be relamped from above without removing diffuser or trim ring.

## SCONCE DS-830, DS-832, DS-664

- Feature:** • Aluminum or solid brass (not plated) trim ring.  
**Benefit:** • Aluminum: Variety of painted finishes including brushed aluminum available.  
 • Brass: True brass material adds value and matches other brass finishes in architectural spaces.

- Feature:** • Three decorative cast trim band options.  
**Benefit:** • Cast detail adds richness and depth at a fraction of the price of a one-piece cast trim ring.



- Feature:** • Four-inch extension (DS-664).  
**Benefit:** • ADA compliant.

- Feature:** • White, white swirl, faux alabaster acrylic diffuser options.  
**Benefit:** • Varying amounts of downlight through bowl.  
 • Appearance variety.

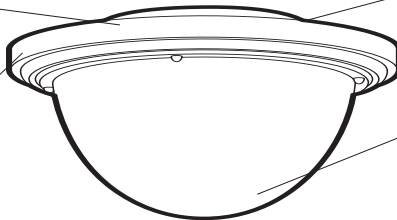
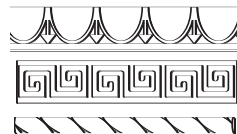
- Feature:** • Two antique brass finishes available.  
**Benefit:** • SAB finish is an antique paint hand applied to solid brass material for a rich, traditional look. FAB finish is a painted finish on aluminum material that yields a similar appearance, yet costs substantially less.

- Feature:** • Emergency option locates battery inside wall cavity.  
**Benefit:** • Identical appearance to non-emergency product.

## CEILING DC-830, DC-832

- Feature:** • Aluminum or solid brass (not plated) trim ring.  
**Benefit:** • Aluminum: Variety of painted finishes including brushed aluminum available.  
 • Brass: True brass material adds value and matches other brass finishes in architectural spaces.

- Feature:** • Three decorative cast trim band options.  
**Benefit:** • Cast detail adds richness and depth at a fraction of the price of a one-piece cast trim ring.



- Feature:** • Integral emergency and dimming options.  
**Benefit:** • Identical appearance to non-emergency product.  
 • Remote mounting unnecessary.

- Feature:** • White, white swirl, faux alabaster acrylic diffuser options.  
**Benefit:** • Varying amounts of downlight through bowl.  
 • Appearance variety.

- Feature:** • Two antique brass finishes available.  
**Benefit:** • SAB finish is an antique paint hand applied to solid brass material for a rich, traditional look. FAB finish is a painted finish on aluminum material that yields a similar appearance, yet costs substantially less.